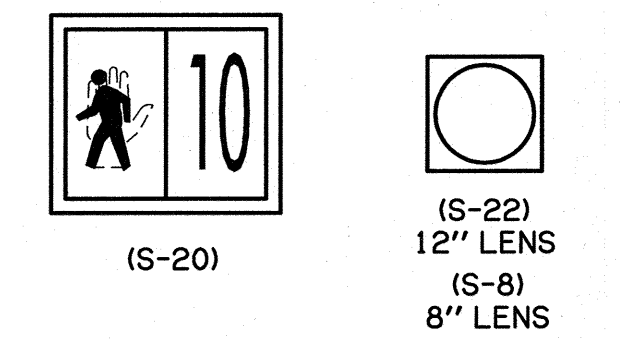
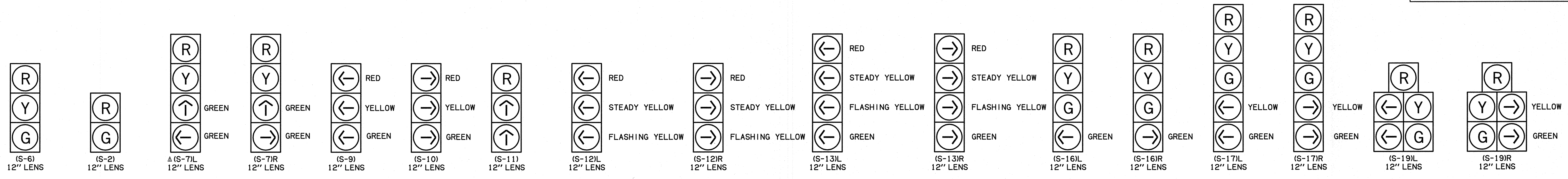
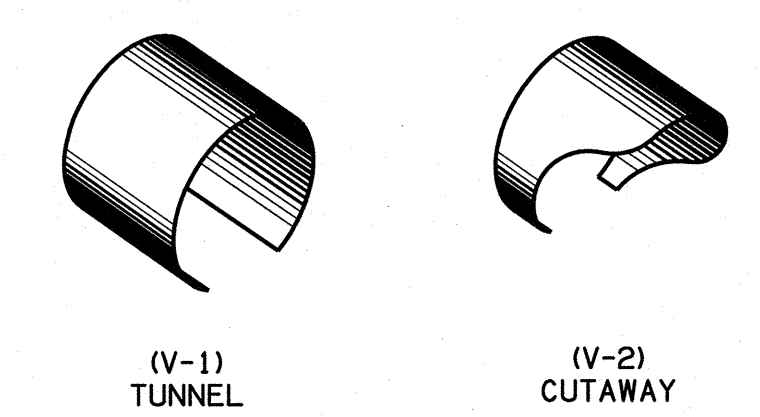
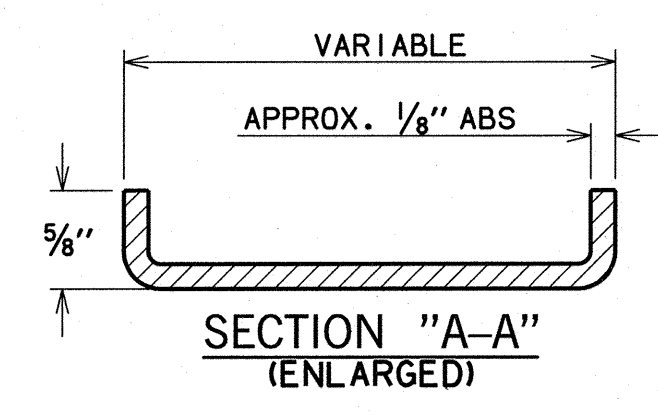


DESCRIPTION	REVISIONS	DATE
ADDED SIGNALS		7/08/2011
UPDATED SYMBOLS		
ADDED RETRO-REFLECTIVE TAPE TO BACKPLATE		4/2/2013



**SIGNAL FACE TYPES**

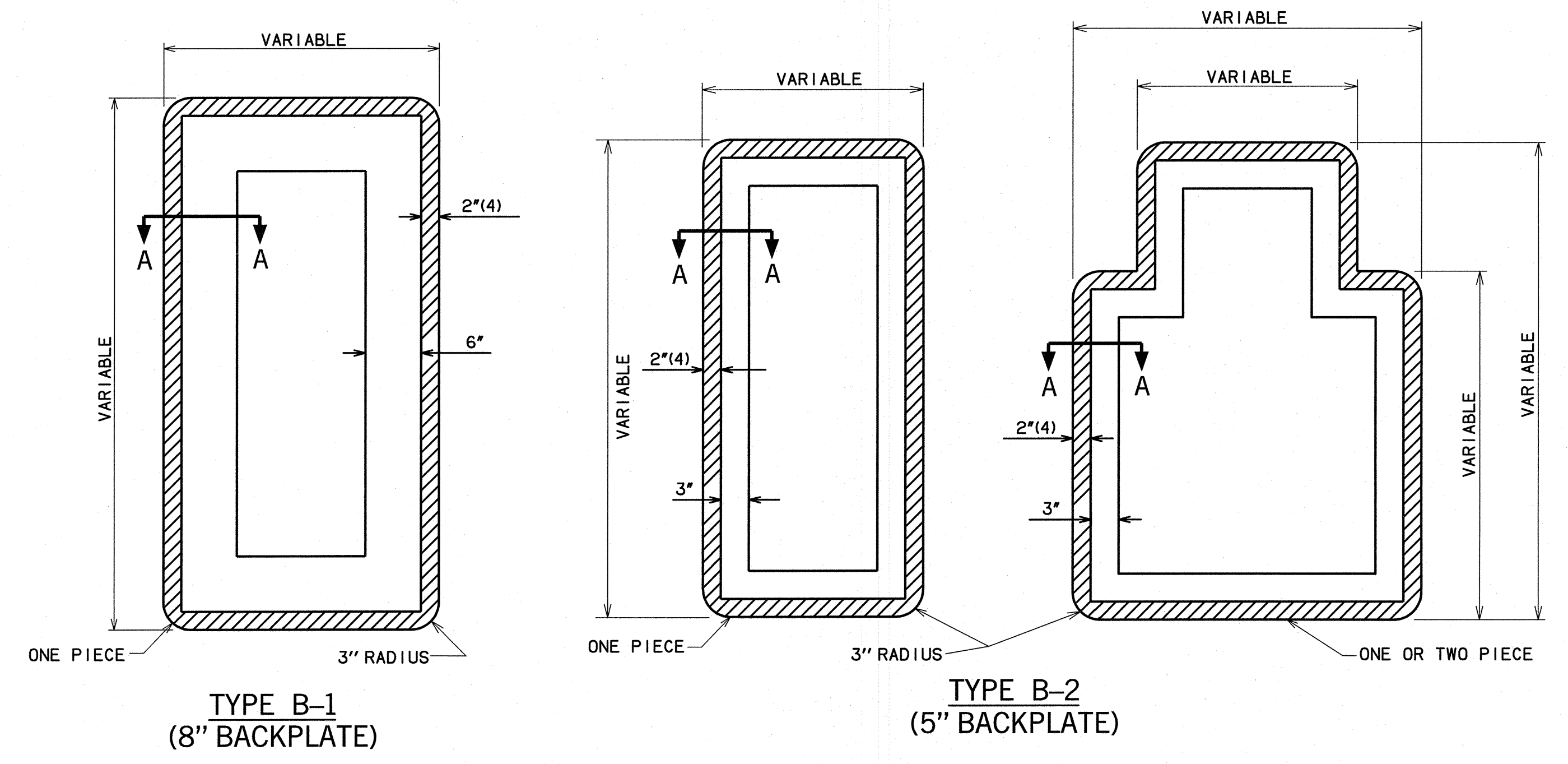
R = RED  
Y = YELLOW  
G = GREEN



**VISOR TYPES**

**GENERAL NOTES**

1. ALL TRAFFIC SIGNAL AND PEDESTRIAN SIGNAL HEADS SHALL BE FURNISHED WITH GLASS LENSES, UNLESS OTHERWISE SPECIFIED. THE LENSES SHALL CONFORM TO THE LATEST STANDARD OF THE INSTITUTE OF TRANSPORTATION ENGINEERS.
2. BACKPLATES SHALL BE INSTALLED WITH TWO RIVETS AND/OR SCREWS PER SECTION, A MINIMUM OF SIX PER SIGNAL, OR AS RECOMMENDED BY THE MANUFACTURER.
3. VACUUM FORMED BACKPLATES SHALL BE USED ON ALL STANDARD TRAFFIC SIGNAL HEADS. UNLESS NOTED ON PLANS, BACKPLATES ARE TO BE BLACK.
4. BACKPLATES SHALL HAVE A 2" FLUORESCENT YELLOW TAPE APPLIED TO THE BACKPLATE. THE TAPE SHALL EITHER BE TYPE IX OR TYPE X1.



BASIS OF PAYMENT		
ITEM NO.	ITEM	UNIT
833	BACKPLATE	EA

APPROVED BY  
TRAFFIC ENGINEER: *David Smith* DATE: 4/8/2013

TRAFFIC STANDARD  
TRAFFIC SIGNALS AND ACCESSORIES